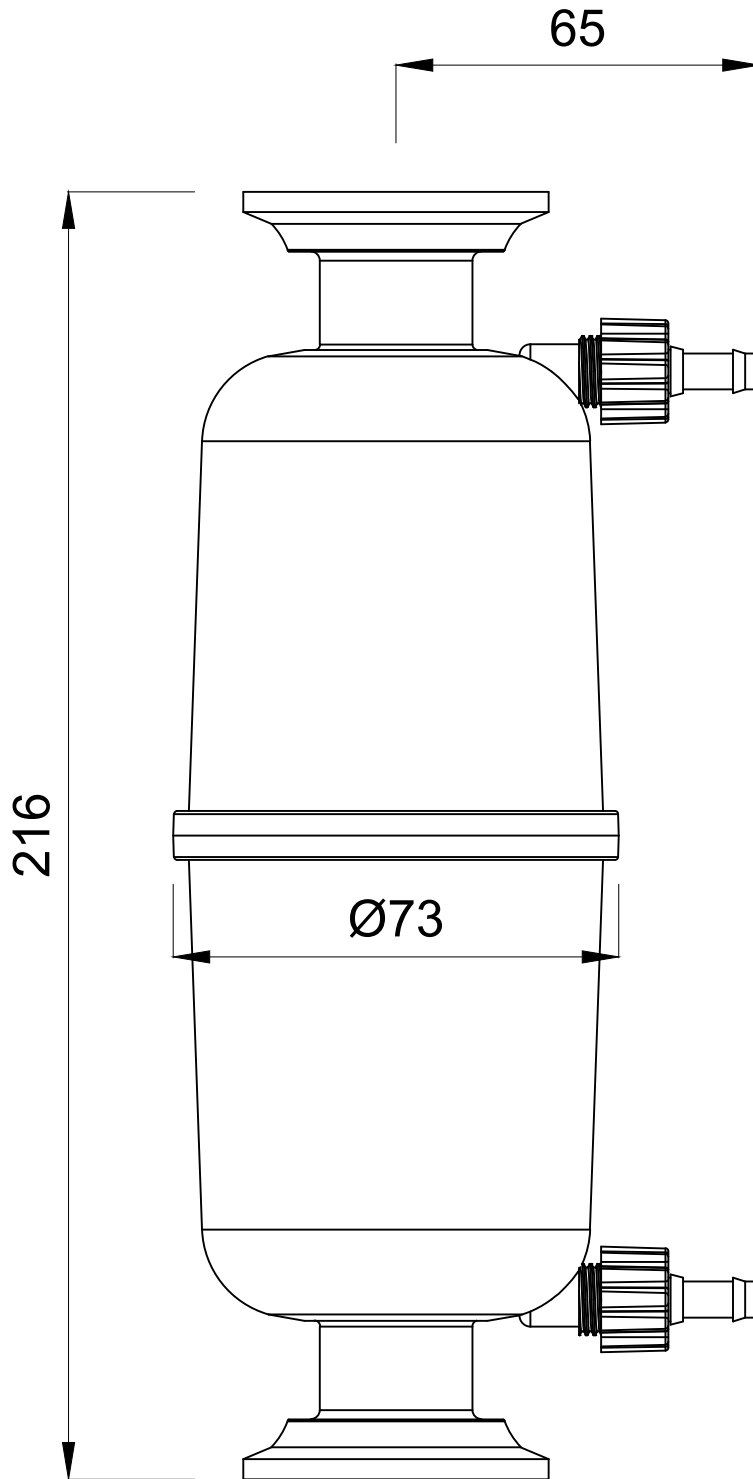


DO NOT SCALE THE DRAWING

ALL DIMENSIONS ARE IN mm



PART	QUANTITY	REF. NO.	DESCRIPTION	MATERIAL	FINISHED SIZE	HARDNESS	REMARK
------	----------	----------	-------------	----------	---------------	----------	--------

REV. NO.	ECN. NO.	DATE	DESCRIPTION	REV. NO.	ECN. NO.	DATE	DESCRIPTION				
mdi Advanced Microdevices Pvt. Ltd. 20, 21, Industrial Area , Ambala Cantt., 133006				TOLERANCE UNLESS SPECIFIED							
8" Filter Capsule With 1.5" TC I/O	REV. NO.	FORMAT NO. 5	SCALE	PROJ.	DATE	SIGN.	1Dec.PI	2Dec.PI	3Dec.PI	4Dec.PI	
			NONE				C	A±0.100	A±0.050	A±0.025	A±0.010
							T	A±0.050	A±0.025	A±0.010	A±0.000
							S				
							ANGLE	A±2Å°	A±2Å°	A±2Å°	A±2Å°